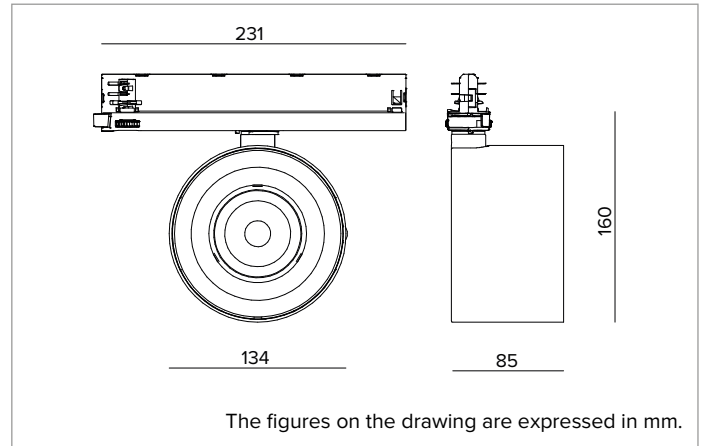


T039FLL930CADB | ZENO 130

Professional adjustable LED projector



	3000K	H(m)	D(m)	Emax(lx)
	Ra90		36°	
	Fixture Power	29W	1	0.64 6849
	Source Flux	2999lm	2	1.28 1712
	Fixture Flux	2419lm	3	1.92 761
	Efficacy	82lm/W	4	2.57 428
TS1915	I _{max} =2284cd/klm	I _{max}	6849cd	5 3.21 274



SOURCE

High efficiency Chip on Board LED Ra90. Ra97 on request.

Energy efficiency class: D

Nominal power: 26W

Nominal flux: 2999lm

Colour rendering index: 90

Rf: 92

Rg: 101

CCT nominal: 3000K

Lifetime (L80/B10): >50000h tq +25°C

ILLUMINOTECHNICAL CHARACTERISTICS

Flood version with an optical grade PMMA TIR lens.

Optic: LENS

Beam angles: FL

Optical efficiency: 81%

Fixture flux: 2419lm

Luminous efficacy: 82lm/W

Photobiological safety: Compliant with RG1 low risk group

MECHANICAL CHARACTERISTICS

Die-cast painted aluminium optical unit. The optical unit can be adjusted from 0 to -90° on the vertical plane; and 355° on the horizontal plane with aiming blocking system.

Colour and finish: Deep black

Weight: 0.85Kg

Degree of protection: IP20

ELECTRICAL CHARACTERISTICS

CASAMBI electronic driver integrated into the track adapter.

Fixture Power: 29W

Power supply: 220-240Vac 50/60Hz

Insulation Class: CLASS 2

Type of driver / Control: CASAMBI

Driver included: YES

Class F: YES

SAFE FLICKER: PstLM=<1 and SVM=<0.4 (IEC TR 61547-1 and IEC TR 63158), to ensure a more comfortable and safe light

Ambient temperature: 0°C / +25°C

INSTALLATION

Electrified track mounting. Mechanical and optic accessories available, to be installed with holder ring (necessary).

NOTES

110-277Vac version available on request. Commissioning of the control system via free APP; the intervention of a specialist technician can be quoted on request.

WARRANTY

5 years.

WARNING

Luminaire designed for disposal/recycling at end-of-life. Replaceable (LED only) light source by a professional. Replaceable control gear by a professional.

Due to the technological evolution of the electronic components, the data provided may be updated, and as such, confirmation must be requested during the order process.

Luminous flux and power supply have +/-10% tolerances with respect to the indicated value. tq +25°C (CIE 121).

We reserve the right to make technical changes.

Targetti Sankey S.r.l.
Via Pratese, 164
50145 Firenze - Italy
Tel: +39 055 37911
targetti.com
targetti@targetti.com

CCIAA Firenze
Share Capital:
€ 500.000,00
VAT N. (IT):
01537660480
R.E.A: FI-275656

TARGETTI

T039FLL930CADB | ZENO 130
Professional adjustable LED projector

Accessories

Filter



Code

1T6060

Blade of light filter.
Methacrylate holographic filter.
This makes the beam take on an oval shape and when combined with spotlights, the light blade appears more prominent.
To be completed with a dedicated holder ring.
It cannot be used with NSP and Wall Washer optics.

Grid



Colour

Code



1T6061

Anti-glare louver.
Black lacquered aluminium honeycomb structure.
To be completed with a dedicated holder ring.
It cannot be used with NSP and Wall Washer optics.

Cut-off



Colour

Code



1T6062

Black painted steel cut-off.
To be completed with a dedicated holder ring.
It cannot be used with NSP and Wall Washer optics.



Colour

Code



1T6063

Black painted steel asymmetric cut-off.
To be completed with a dedicated holder ring.
It cannot be used with NSP and Wall Washer optics.

Ray Shade



Colour

Code



1T6064

Adjustable barn doors flaps made of black painted steel.
To be completed with a dedicated holder ring.
They cannot be used with NSP and Wall Washer optics.

Holder Ring



Colour

Code



1T6501

Black painted aluminium accessory holder ring.

Due to the technological evolution of the electronic components, the data provided may be updated, and as such, confirmation must be requested during the order process.
Luminous flux and power supply have +/-10% tolerances with respect to the indicated value. tq +25°C (CIE 121).

We reserve the right to make technical changes.

Targetti Sankey S.r.l.
Via Pratese, 164
50145 Firenze - Italy
Tel: +39 055 37911
targetti.com
targetti@targetti.com

CCIAA Firenze
Share Capital:
€ 500.000,00
VAT N. (IT):
01537660480
R.E.A.: FI-275656

